

The power to exceed

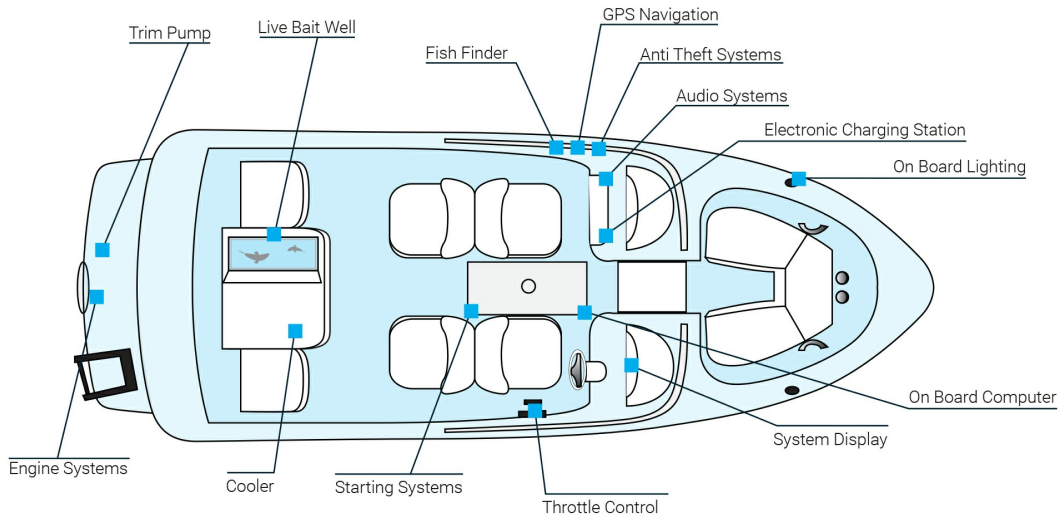


NorthStar marine batteries excel at providing high vibration resistance, with the high cranking amps and reserve capacity that watercraft demand.


- Pure lead AGM technology delivers exceptional CCA ratings and reserve capacity cycling ability
- Quick starting every time
- Cycles over 900 times to 50% depth of discharge
- Faster recharge than conventional batteries
- Proudly made in the USA at our state-of-the-art battery plant
- OEM fit is ensured - built to exact BCI standards
- Housed in advanced plastics for durability performance and heat resistance
- Advanced AGM construction means no water levels to check or terminals to clean
- Approved as non-hazardous cargo for ground sea and air transport DOT 49CFR173.159(d), (i) and (ii)

NSB-AGM 27M

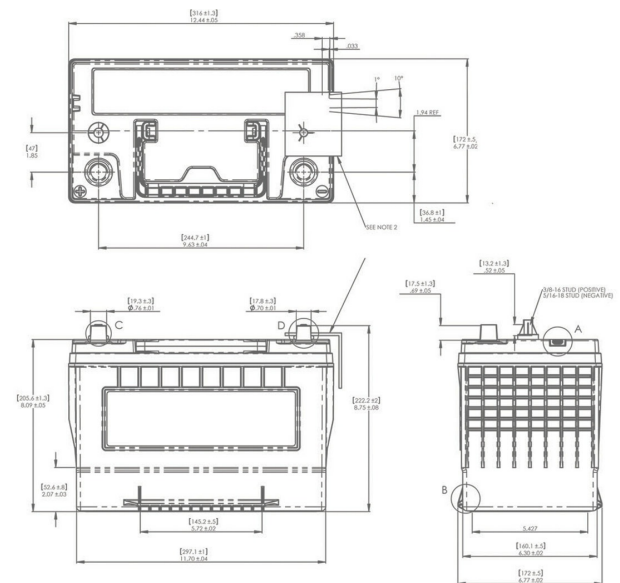
Nominal Technical Specifications



Technical data

Terminal configuration	Marine/SAE
Terminal illustration	
Pulse cranking amps	1750 A
CCA rating at -18°C (0°F)	930 A
CA/MCA rating at 0°C (32°F)	1080 A
Reserve capacity	190 min
Capacity - 20 hour rate (1.75 vpc)	92 Ah
Internal resistance	2.6 mΩ @ 25°C (77°F)
Short circuit current	5000 A
Warranty	3 years full
Quantity per layer	15
Quantity per pallet	30

Technical Drawing



All NorthStar batteries are compliant with Battery Council International standards, UL approved and UN2800 certified. NorthStar is registered to ISO 9001 and ISO 14001.